



VULCAN

INDUSTRIES, INC.



Liqui-Fuge
ROTARY DRUM SCREEN

Liqui-Fuge ROTARY DRUM SCREEN

The Model LFS Liqui-Fuge RDS, rotary drum screen is an automatic, self-cleaning fine screen for primary screening in municipal and industrial sewage treatment applications. The screens are also ideal for industrial applications such as slaughterhouses, tanneries, breweries and paper plants. The Liqui-Fuge RDS is designed to accept pumped flow and is internally-fed.

CONSTRUCTION

The Liqui-Fuge RDS consists of a wedge-wire drum, internal and external spray system, flow distribution tray, support structure with trunnion wheels, drain pan (when required), removable enclosures and a drum drive system. The drum drive system consists of a gearmotor and a reliable, low maintenance synchronous drive belt. All wetted parts and the support structure are constructed of either 304 or 316 stainless steel.

OPERATION

Flow is pumped to the distribution tray where it is directed onto the rotating drum. Wastewater passes through the openings in the drum while the captured screenings remain on the drum surface. Radial flights inside the drum transport the screenings towards the discharge end of the drum. The screenings exit the unit and fall into a post screening device or a container. Spray water cycling is adjustable to ensure maximum performance.

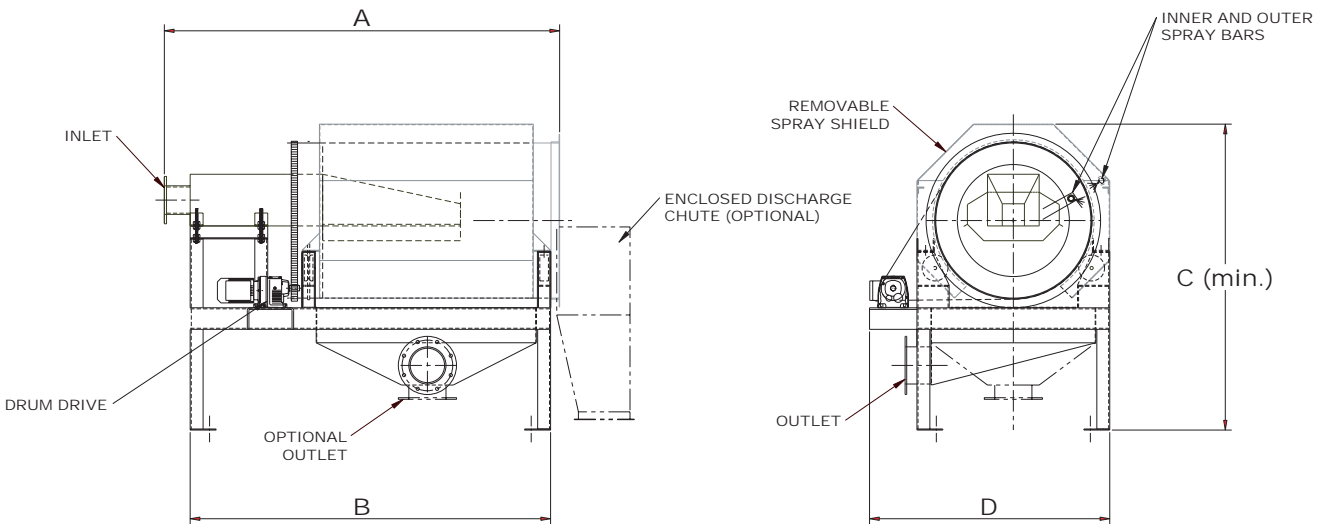


Diagram Measurements in Inches:

Screen Openings in Inches/mm and Design Flow (GPM)*:

Model	A	B	C	D	MOTOR	0.020" / .50	0.030" / .75	0.040" / 1.0	0.060" / 1.5	0.080" / 2.0	0.100" / 2.5	0.200" / 5.0
LFS-244	7'-8"	6'-9"	4'-6"	3'-7"	1/2 HP	300	500	650	700	750	800	1000
LFS-364	7'-8"	6'-11 1/2"	5'-11"	4'-8"	1 HP	800	1000	1125	1250	1365	1500	1600
LFS-365	8'-8"	7'-11 1/2"	5'-11"	4'-8"	1 HP	1300	1500	1625	1750	1875	2000	2200
LFS-366	9'-8"	8'-11 1/2"	5'-11"	4'-8"	1 HP	1800	2000	2125	2250	2375	2500	2800
LFS-485	9'-0"	8'-4"	7'-0"	5'-9 1/2"	2 HP	2100	2300	2450	2575	2750	2900	3300
LFS-486	10'-0"	9'-4"	7'-0"	5'-9 1/2"	2 HP	2500	2650	2800	2950	3200	3350	3600
LFS-606	10'-5"	9'-8"	8'-0"	7'-0"	3 HP	2800	3000	3120	3250	3775	3825	3900
LFS-608	12'-11"	12'-2"	8'-0"	7'-0"	3 HP	3800	4000	4100	4400	4600	4800	5300
LFS-6010	14'-11"	14'-2"	8'-0"	7'-0"	5 HP	4800	5000	5100	5400	5600	5800	6400
LFS-6012	16'-11"	16'-2"	8'-0"	7'-0"	5 HP	5800	6000	6100	6400	6600	6800	7400
LFS-6013	17'-11"	17'-2"	8'-0"	7'-0"	5 HP	6300	6500	6600	6900	7100	7300	8000

* Note: Flow rates are based on clean water flows.



212 S. Kirlin St.
 Missouri Valley, Iowa 51555 USA
 712-642-2755 Fax 712-642-4256
 Email: info@vulcanindustries.com
 www.vulcanindustries.com